



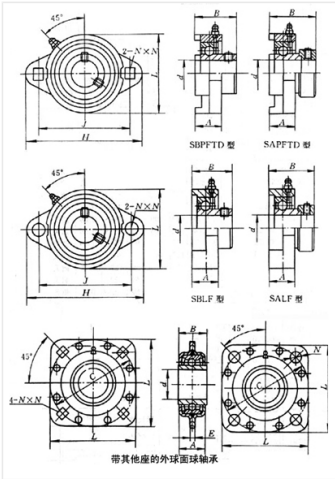
Bearing Model ST-491A

Overall dimension (mm)

d 44.78

D 127

B 42.8



Limit speed (RPM)

Grease -

Oil lubrication -

Rated load

Cr(N) -

Cr(N) -

Weight(kg) 0