



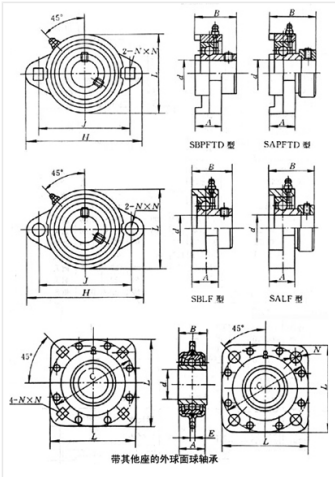
Bearing Model ST211-1-15/16

Overall dimension (mm)

d 33.338

D 139.7

B 69.9



Limit speed (RPM)

Grease -

Oil lubrication -

Rated load

Cr(N) -

Cr(N) -

Weight(kg) 0