



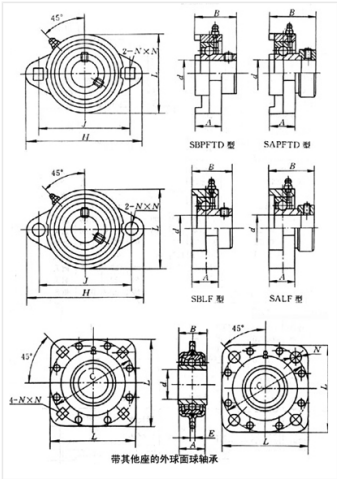
Bearing Model ST209-1-1/8

Overall dimension (mm)

d 28.575

D 127

B 42.8



Limit speed (RPM)

Grease -

Oil lubrication -

Rated load

Cr(N) -

Cr(N) -

Weight(kg) 0