



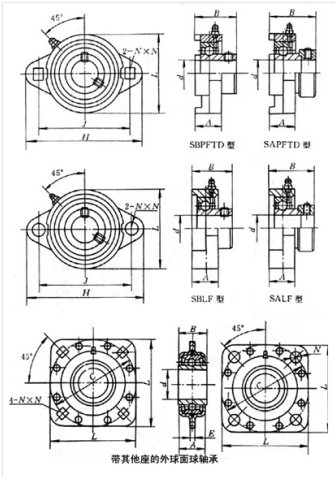
Bearing Model 491B

Overall dimension (mm)

d 38.1

D 127

B 42.8



Limit speed (RPM)

Grease -

Oil lubrication -

Rated load

Cr(N) -

Cr(N) -

Weight(kg) 0