



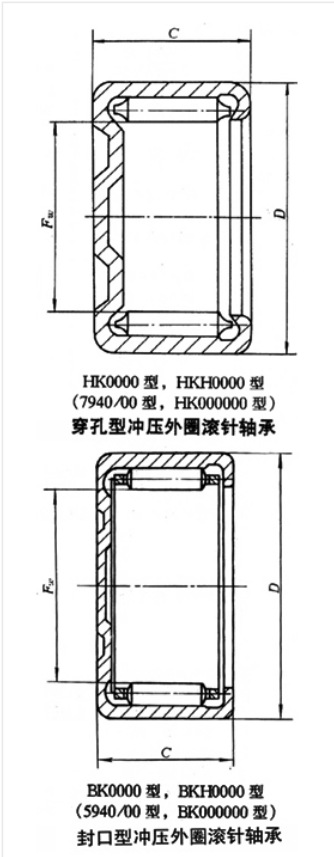
Bearing Model BK1010

Overall dimension (mm)

d 10

D 14

B 10



Limit speed (RPM)

Grease -

Oil lubrication -

Rated load

Cr(N) -

Cr(N) -

Weight(kg) -