



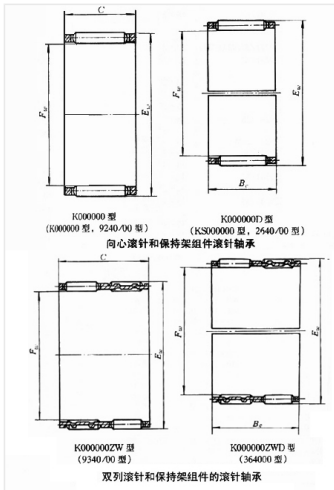
Bearing Model K100X108X30

Overall dimension (mm)

d 100

D 108

B 30



Limit speed (RPM)

Grease -

Oil lubrication -

Rated load

Cr(N) -

Cr(N) -

Weight(kg) -