



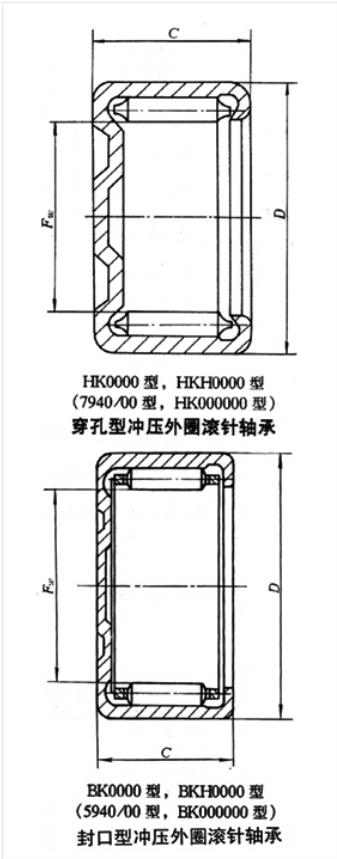
Bearing Model HKH1010

Overall dimension (mm)

d 10

D 16

B 10



Limit speed (RPM)

Grease -

Oil lubrication -

Rated load

Cr(N) -

Cr(N) -

Weight(kg) 0