



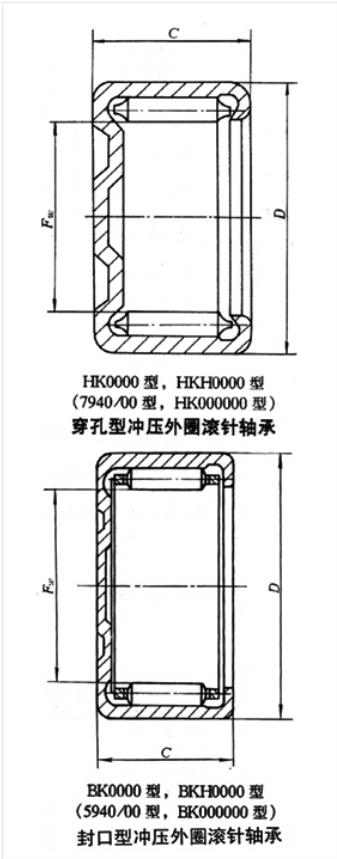
Bearing Model HK2518-RS

Overall dimension (mm)

d 25

D 32

B 18



Limit speed (RPM)

Grease -

Oil lubrication -

Rated load

Cr(N) -

Cr(N) -

Weight(kg) 0