



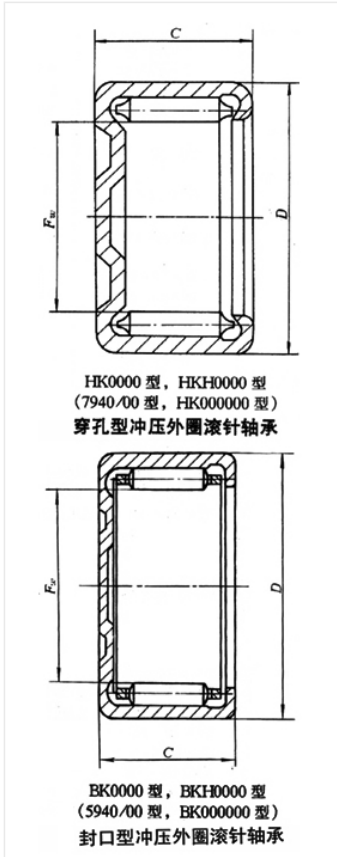
Bearing Model HK1718

Overall dimension (mm)

d 17

D 23

B 18



Limit speed (RPM)

Grease -

Oil lubrication -

Rated load

Cr(N) -

Cr(N) -

Weight(kg) 0.019