



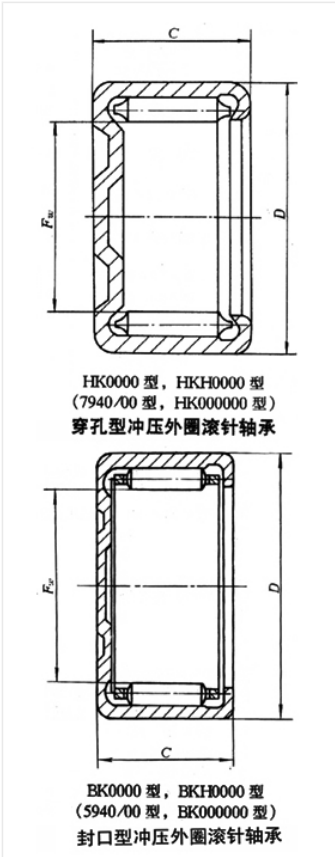
Bearing Model BK1612B

Overall dimension (mm)

d 16

D 22

B 12



Limit speed (RPM)

Grease -

Oil lubrication -

Rated load

Cr(N) -

Cr(N) -

Weight(kg) 0.014