



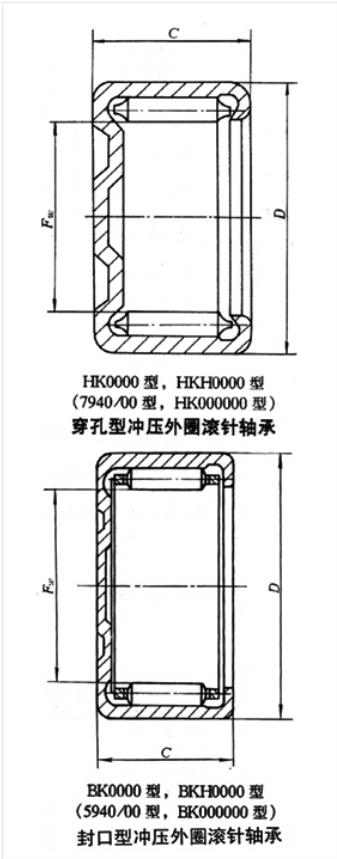
Bearing Model BK0810A

Overall dimension (mm)

d 8

D 12

B 10



Limit speed (RPM)

Grease -

Oil lubrication -

Rated load

Cr(N) -

Cr(N) -

Weight(kg) 0.004